

# Titan Desiccant Breathers

## THE TOUGHEST DESICCANT BREATHER ON THE MARKET

The Titan series operate by the same efficient procedure as the other air conditioners within the RMF Systems range. The difference is the housing of the Titan Desiccant Breather, which is made out of the strongest polymer to optimally function under the most harsh environments. Due to the integrated inner core the desiccant breather is also lighter.

### Highest efficiency in a single process

The Titan Desiccant Breather reduces contamination of your oils by removing solid particles (down to 3 $\mu$ ) and moisture from the air in a single process. This process prevents contamination and oxidation of the oil and components, resulting in a prolonged service life of the oil and equipment and less down time. Reducing the total cost of ownership for your equipment.

### Integrated anti-splash device

The Titan Desiccant Breather comes standard with an integrated anti-splash device to eliminate oil from the equipment reservoir reaching the air filter and ZR Gel. Optional check valves can be added. These valves are fitted in opposing directions, opening whilst in- or exhaling.

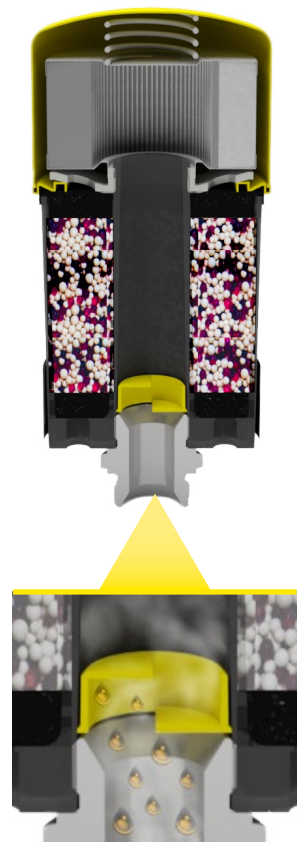
This prevents atmospheric contact between the air and the ZR Gel under static conditions, increasing the lifetime of the drying agent.

### Serviceable and non-toxic

All desiccant breathers are completely serviceable, RMF Systems can provide you with spare filter elements or refills of the non-toxic and non-carcinogenic ZR gel granules.

### Easy mounting

The desiccant breathers are compatible with almost all hydraulic and lubricating fluids applications, because of the wide variety of mounting plates.



Anti-splash device

## Benefits

- 1 Reduces cost of ownership
- 2 Reduces oxidation of the oil and bearing surfaces
- 3 Prolongs the life of the equipment and oil (additive package)
- 4 Minimizes equipment downtime

# Titan Desiccant Breathers

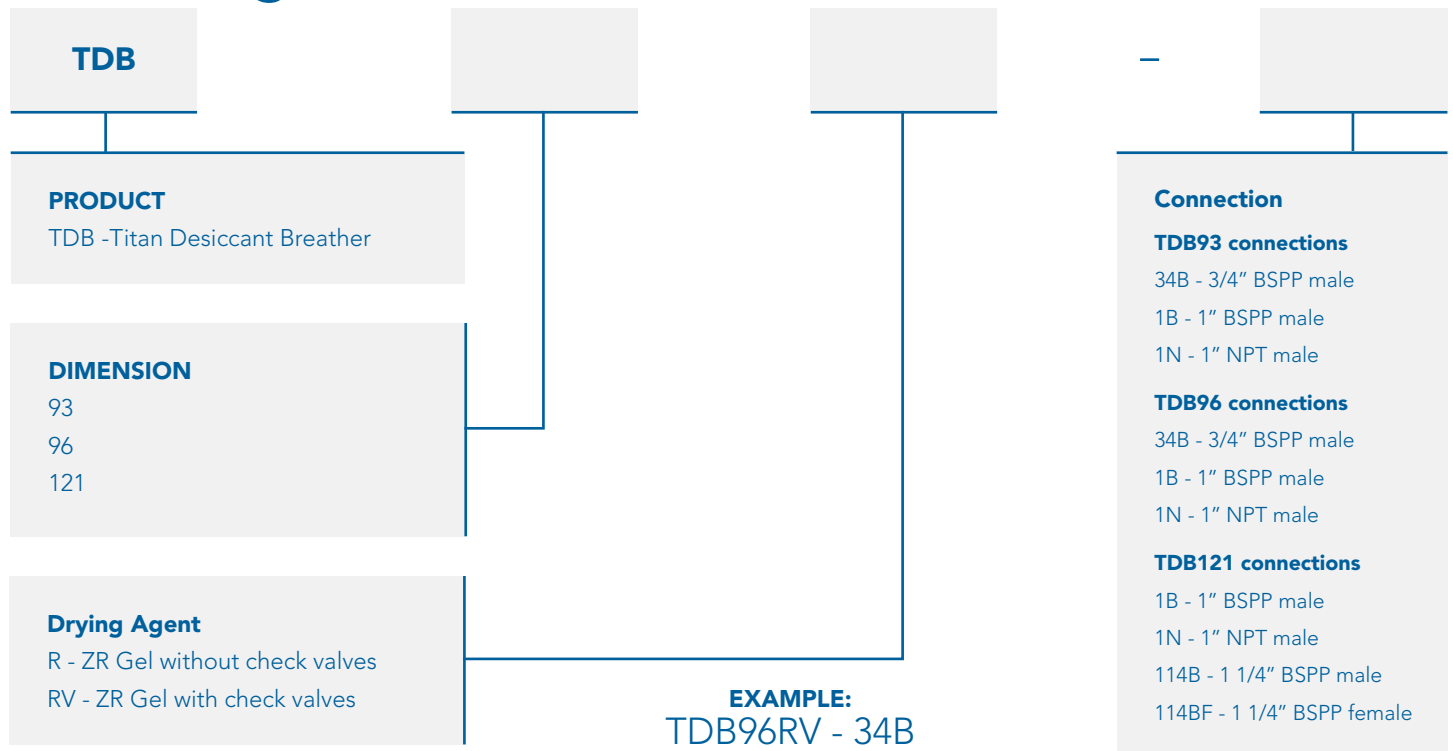
## TECHNICAL SPECIFICATIONS

TYPE	93 SERIES	96 SERIES	121 SERIES
Total weight	± 0,9 kg	± 1,1 kg	± 2 kg
Dimensions D x H	± 100 x 183 mm	± 100 x 243 mm	± 130 x 267 mm
ZR gel volume	300 cc	600 cc	1.000 cc
Water adsorption	86 gram	172 gram	288 gram
Maximum air flow without check valves (0,01 bar)	700 l/min	700 l/min	1.500 l/min
Maximum air flow with check valves (0,01 bar)	300 l/min	300 l/min	400 l/min
Adsorption material	Non-toxic & Non-carcinogenic ZR gel 3-6 mm		
Operating temperature	- 40 °C + 90 °C		
Housing material	Copolyester		
<b>FLUID COMPATIBILITY</b>			
Mineral Oils: H, HL, HLP, HVLP	OK		
HEES Synthetical ester	OK		
Other fluids	Contact RMF Systems		

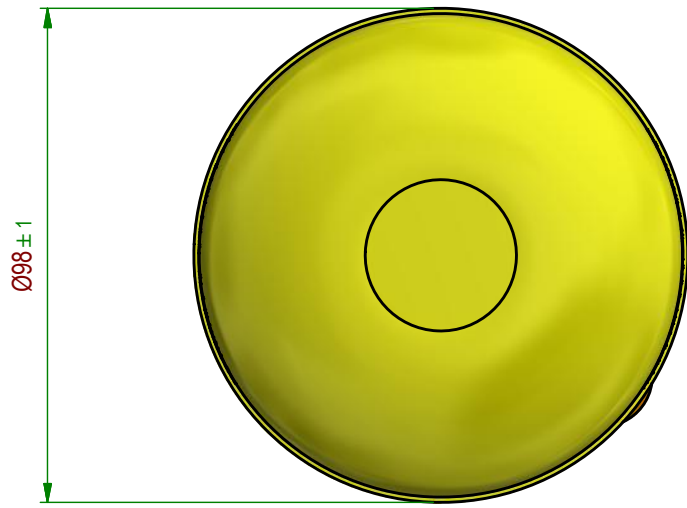


Titan Desiccant Breathers

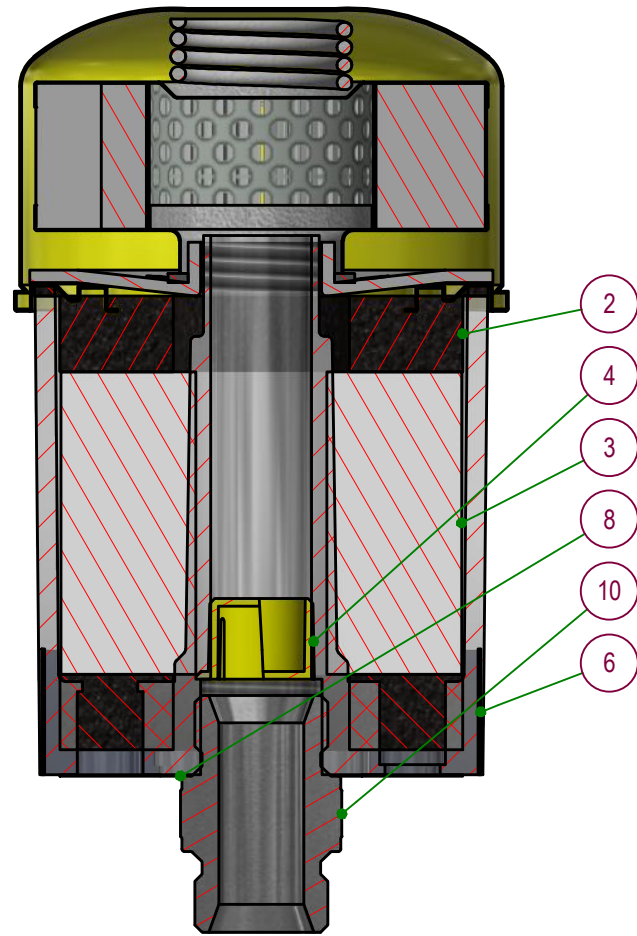
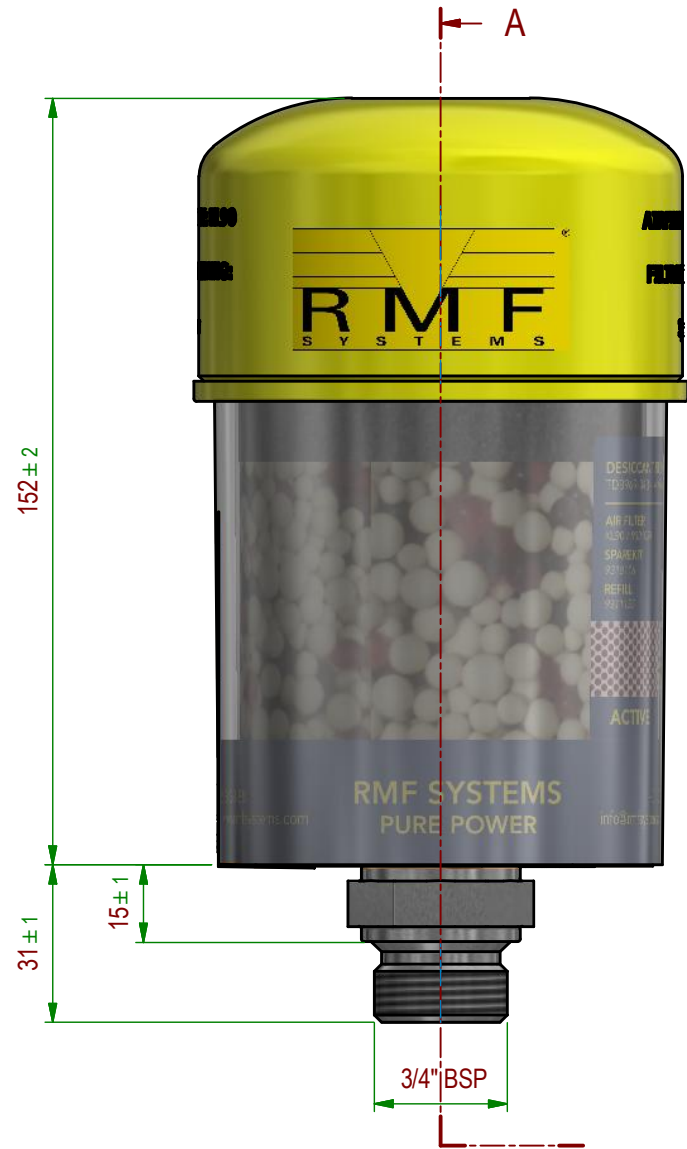
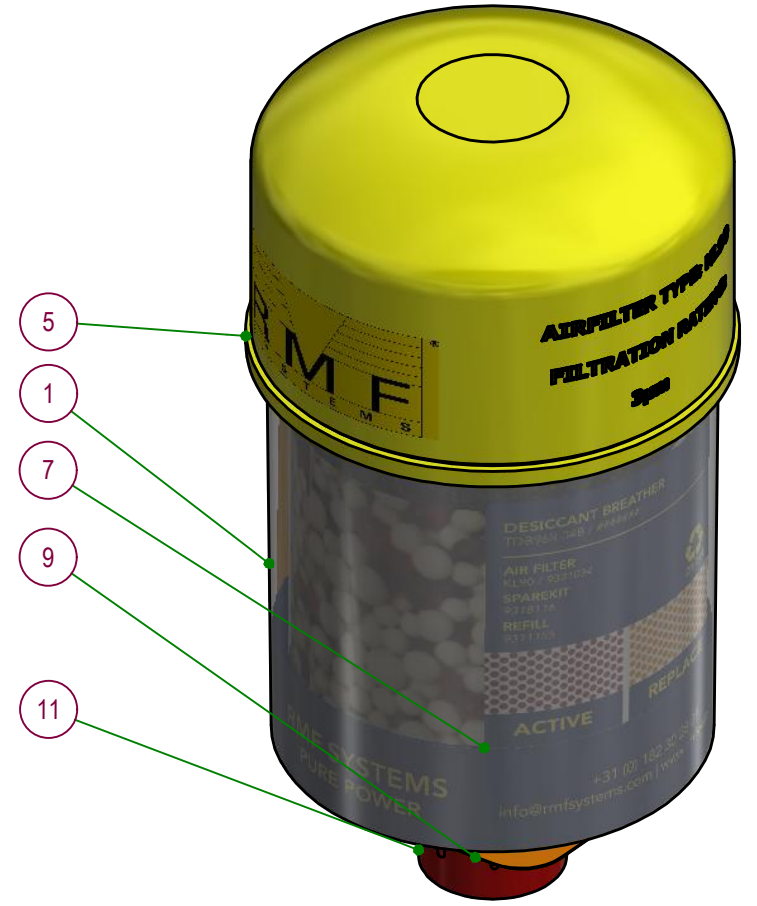
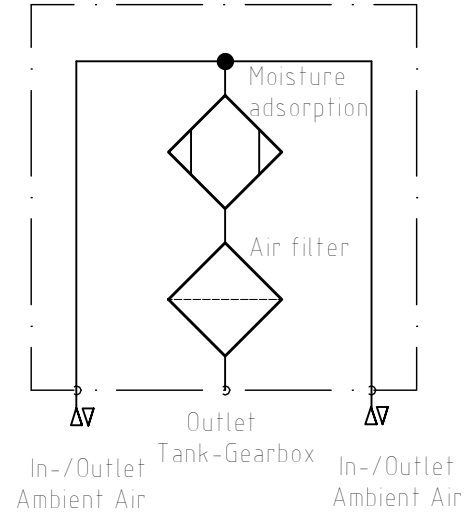
## Ordering Code



SURFACE ROUGHNESS ACCORDING TO NEN3634  
FORM AND PLACE TOLERANTIES ACCORDING TO NEN3310 AND 3311

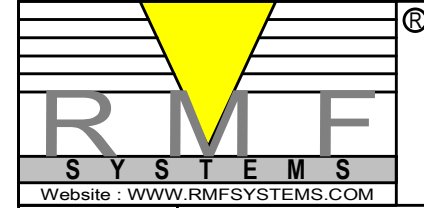


Hydraulic Diagram



Section : A - A

POS	QTY	DESCRIPTION	TYPE	ARTICLE NR	REMARK
11	1	AIRCO SCREWCAP	G3/4" BSP	9294285	
10	1	HEXAGON NIPPLE	2244-12-12	9325793	
9	1	AIRCO FOIL	RMF AIR CONDITIONER	9317900	
8	1	AIRCO STICKER "REMOVE"	RMF AIR CONDITIONER	9238963	
7	1	TDB93R-34B TYPE STICKER	TITAN DESICCANT BREATER STICKER	NA	
6	1	TDB90 BOTTOM STICKER	TITAN DESICCANT BREATER STICKER	9428295	
5	1	KL90 - RMF SPIN ON AIR FILTER INCL. SEAL	RMF - KL90	9331034	
4	1	RMF AS-090	ANTI-SPLASHING	9427795	
3	1	Z/R GEL	300CC	9331151	
2	2	AIRCO FOAM	D87.0x24.0x15.0	9317899	
1	1	BODY ACL 93RV	AIR CONDITIONER	NA	



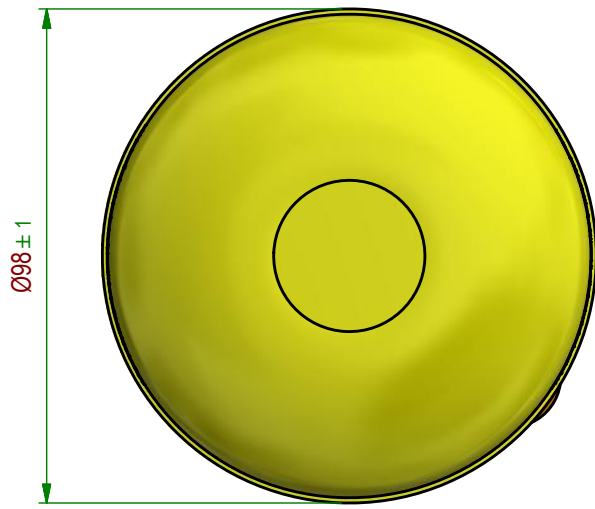
DESIGNED BY	M. Wongsoredjo	DOCUMENT TITLE	TDB93R-34B RMF BREATHER		SHEET
DESIGNED DATE	25-09-2018				1 / 1
DESIGNED STATE	Work in Progress		TDB93R WITH 3/ 4" BSP - NO CHECK VALVES WITH ANTI SPLASH		
CHECKED BY		ARTICLE NUMBER	DRAWING NUMBER	REVISION	FORMAT
CHECKED DATE		9500180	E0057606	-	A3
PROJECTION	SCALE : 1:1.5				
	UNITS : mm		MATERIAL: /	DIMENSIONAL TOLERANCE ACCORDING TO ISO 2768/H / NEN 2368	

DEZE TEKENING IS EIGENDOM VAN DOEDJINS BV NEDERLAND. VERMENGVLIDING OF MEDELING AAN DERDEN. IN WELKE VORM OOK, IS ZONDER SCHRIFTELIJKE TOESTEMMING NIET GEORLOOFD. THIS DRAWING IS THE PROPERTY OF DOEDJINS BV THE NETHERLANDS. REPRODUCTION OR DISCLOSURE TO THIRD PARTIES, IN ANY FORM WHATSOEVER, IS NOT ALLOWED WITHOUT WRITTEN CONSENT OF THE PROPRIETORS.

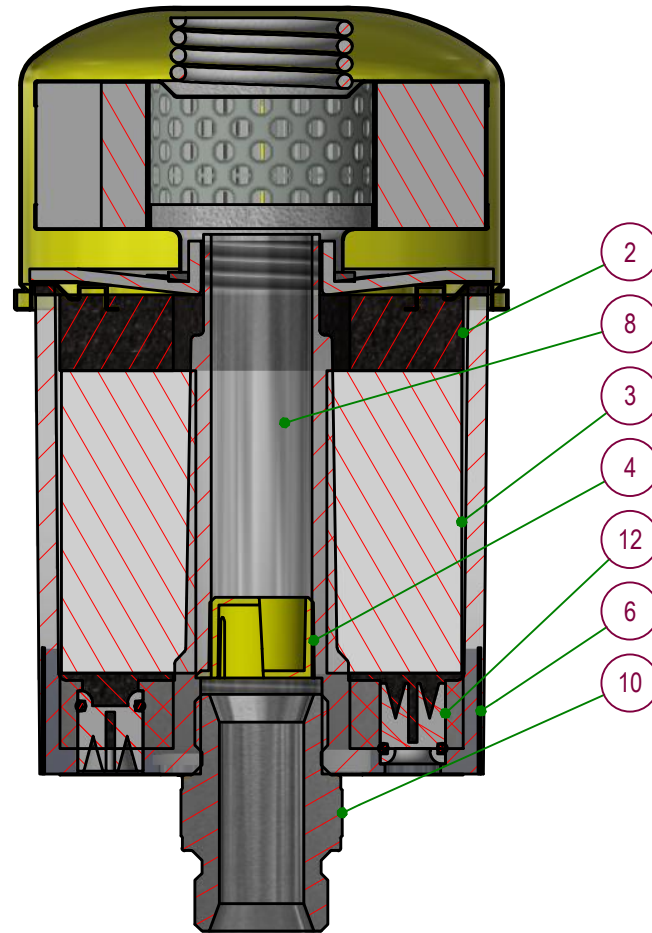
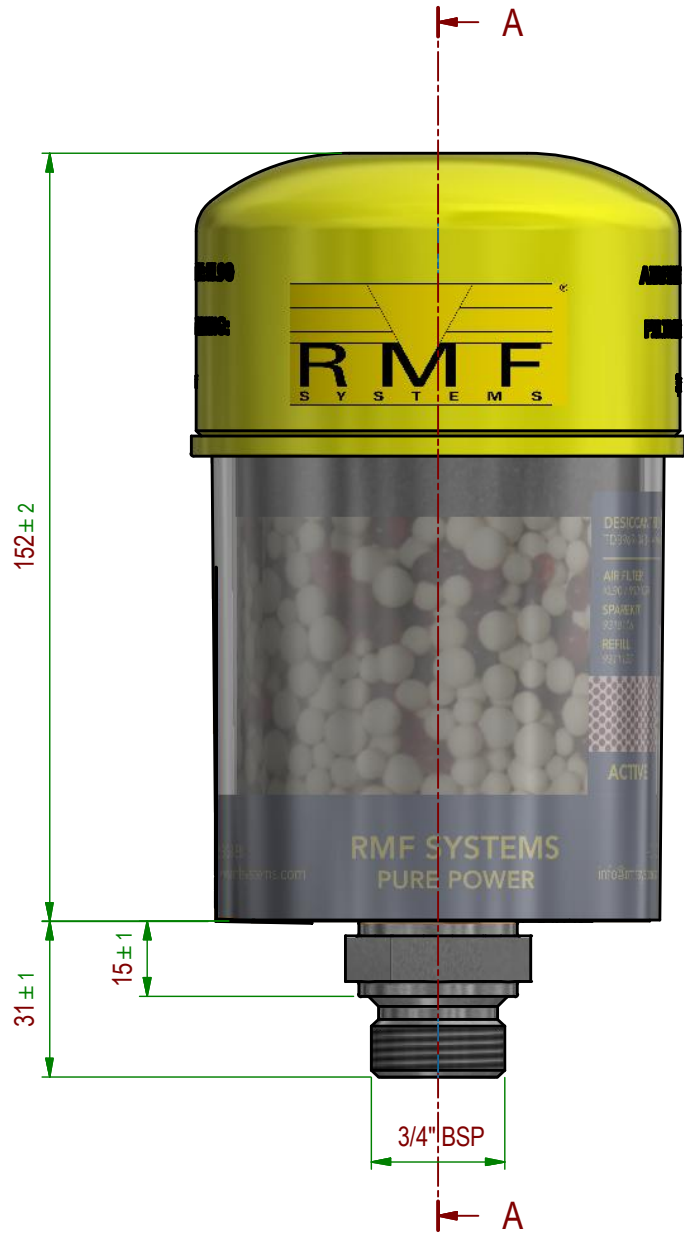
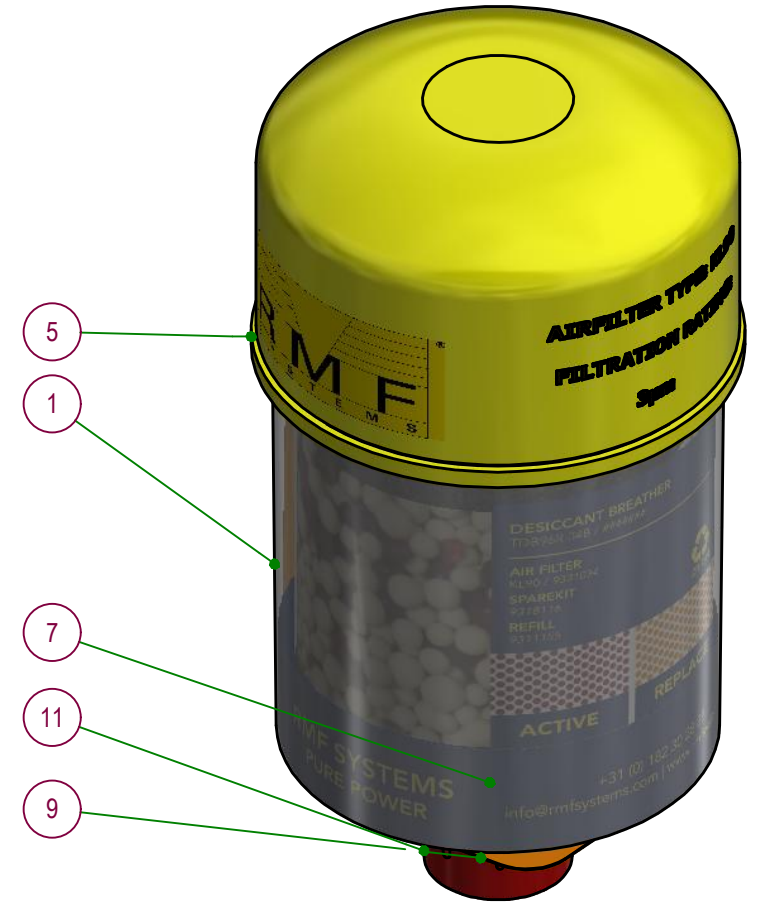
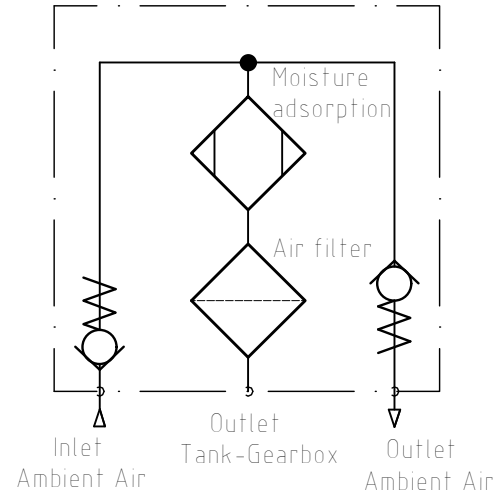


SURFACE ROUGHNESS ACCORDING TO NEN3634  
FORM AND PLACE TOLERANTIES ACCORDING TO NEN3310 AND 3311

DEZE TEKENING IS EIGENDOM VAN DOEDJINS BY NEDERLAND. VERMENGVLIDING OF MEDELING AAN DERDEN.  
IN WELKE VORM OOK, IS ZONDER SCHRIFTELIJKE TOESTEMMING NIET GEORLOOFD.  
THIS DRAWING IS THE PROPERTY OF DOEDJINS BY THE NETHERLANDS. REPRODUCTION OR DISCLOSURE TO THIRD PARTIES,  
IN ANY FORM WHATSOEVER, IS NOT ALLOWED WITHOUT WRITTEN CONSENT OF THE PROPRIETORS.

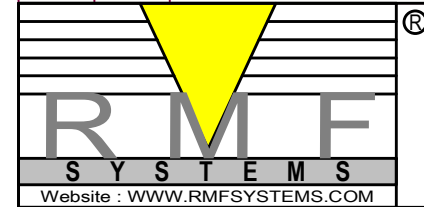


Hydraulic Diagram



Section : A - A

POS	QTY	DESCRIPTION	TYPE	ARTICLE NR	REMARK
12	6	AIRCO CHECK VALVE 0.01 bar	RMF AIR CONDITIONER	9238962	
11	1	AIRCO SCREWCAP	G3/4" BSP	9294285	
10	1	HEXAGON NIPPLE	2244-12-12	9325793	
9	1	AIRCO FOIL	RMF AIR CONDITIONER	9317900	
8	1	AIRCO STICKER "REMOVE"	RMF AIR CONDITIONER	9238963	
7	1	TDB93R-34B TYPE STICKER	TITAN DESICCANT BREATER STICKER	NA	
6	1	TDB90 BOTTOM STICKER	TITAN DESICCANT BREATER STICKER	9428295	
5	1	KL90 - RMF SPIN ON AIR FILTER INCL. SEAL	RMF - KL90	9331034	
4	1	RMF AS-090	ANTI-SPLASHING	9427795	
3	1	Z/R GEL	300CC	9331151	
2	2	AIRCO FOAM	D87.0x24.0x15.0	9317899	
1	1	BODY ACL 93RV	AIR CONDITIONER	NA	



DESIGNED BY	M. Wongsoredjo	DOCUMENT TITLE	TDB93RV-34B RMF BREATHER		SHEET
DESIGNED DATE	25-09-2018				1 / 1
DESIGNED STATE	Work in Progress	TDB93RV WITH 3/ 4" BSP - CHECK VALVES WITH ANTI SPLASH			
CHECKED BY		ARTICLE NUMBER	DRAWING NUMBER	REVISION	FORMAT
CHECKED DATE		9500185	E0057607	-	A3
PROJECTION	SCALE : 1:1.5	MATERIAL: /		DIMENSIONAL TOLERANCE ACCORDING TO ISO 2768/H / NEN 2368	
	UNITS : mm				